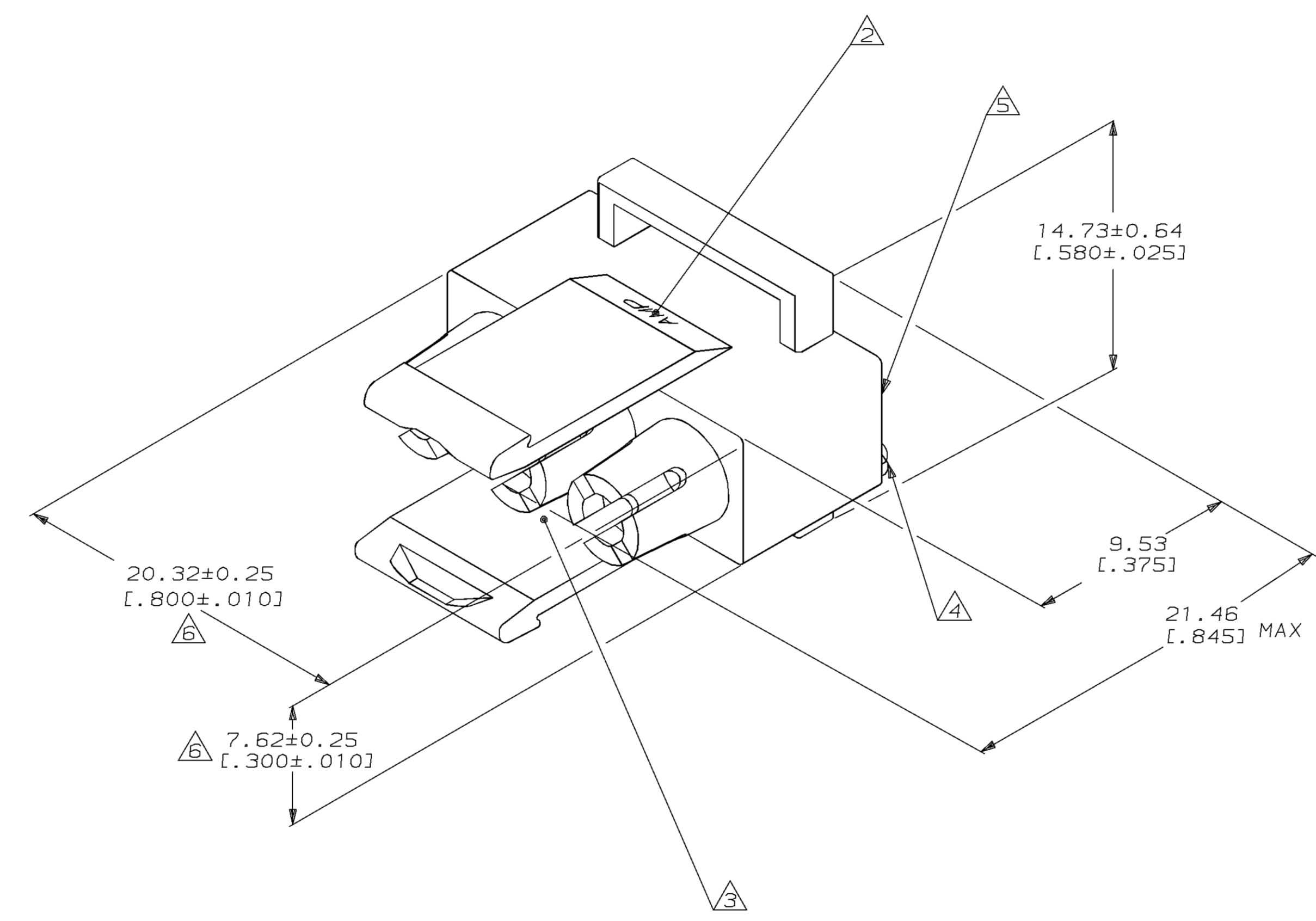


LOC		DIST		P		F		ZONE		LTR		REVISIONS		DATE	APPD
CM	53												REV PER EC 0730-0040-95	4-17-95	RV



1. MUST BE ASSEMBLED WITH PLUG FRONT P/N 770033-1 BEFORE MATING. KIT P/N IS 770018-1.
2. AMP LOGO LOCATED THIS SURFACE.
3. UL AND CSA LOGOS LOCATED ON FAR SIDE.
4. CIRCUIT NO. 1 IDENTIFICATION BUTTON LOCATED APPROXIMATELY AS SHOWN.
5. LOCATION OF CIRCUIT NUMBERS MOVE BUT WILL REMAIN ADJACENT TO APPROPRIATE CAVITY.
6. DIMENSION INDICATED IS AS MOLDED. ADDITIONAL GROWTH DUE TO SUBSEQUENT MOISTURE ABSORPTION MAY OCCUR.
7. DIMENSIONS IN BRACKETS ARE IN INCHES.

770034-1
PART NUMBER

METRIC

DO NOT SCALE PRINT. UNLESS SPECIFIED DIMENSIONS IN mm TOLERANCES ON +		DR 1-15-92 K. SALMON		AMP INCORPORATED Harrisburg, Pa. 17105	
2 PLC DEC ± 0.13 [.005]		CHK 1-15-92 R. SWING		NAME	
3 PLC DEC ± 0.13 [.005]		APPD 1-16-92 M. TRULL		PLUG REAR, 3 CIRCUIT, UNIVERSAL MATE-N-LOK™ II	
ANGLES ±		APPD 1-16-92 M. TRULL			
MATERIAL NYLON, UL94V-0,		PRODUCT SPEC		DRAWING NO 770034	
FINISH		APPLICATION SPEC		SIZE D	FSCM NO 00779
		WEIGHT		SCALE 5:1	SHEET 1 OF 1